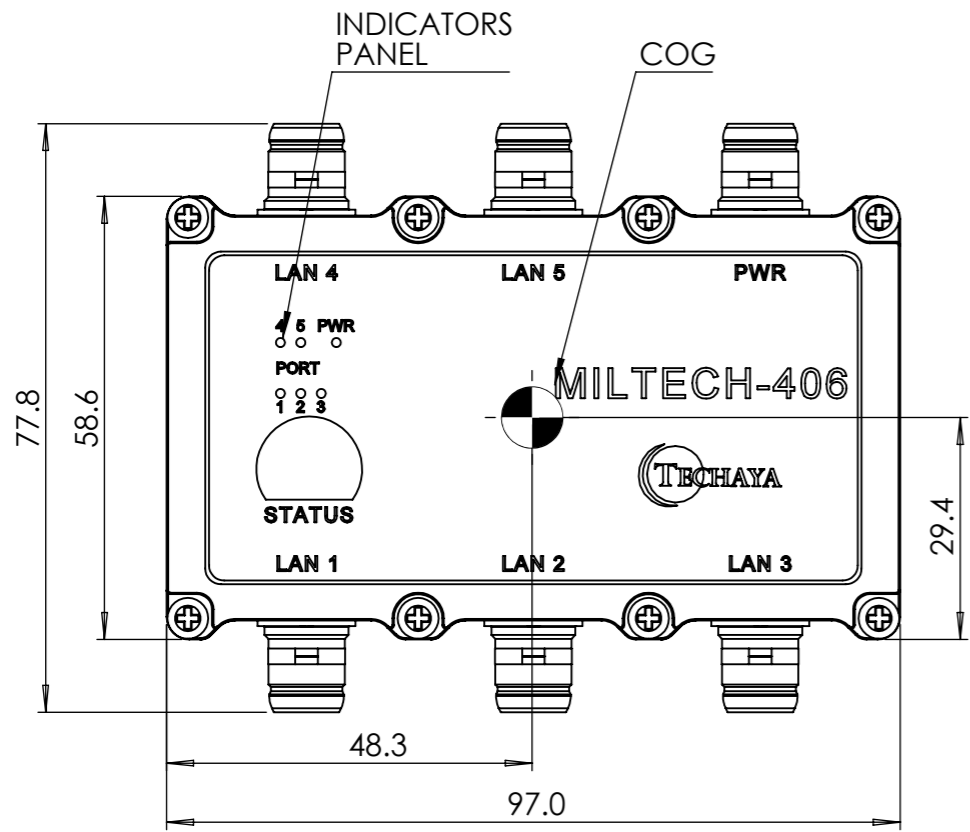
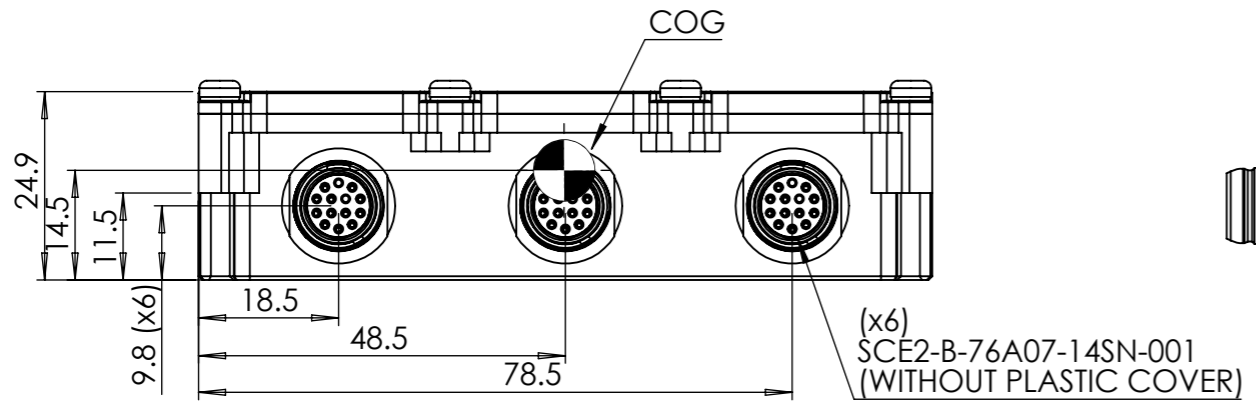
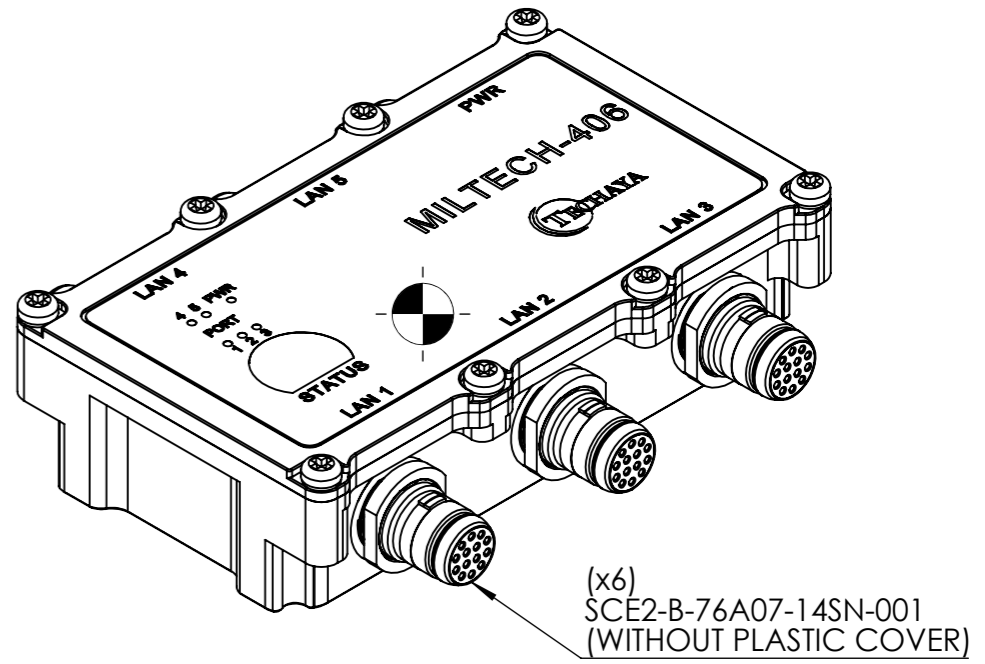
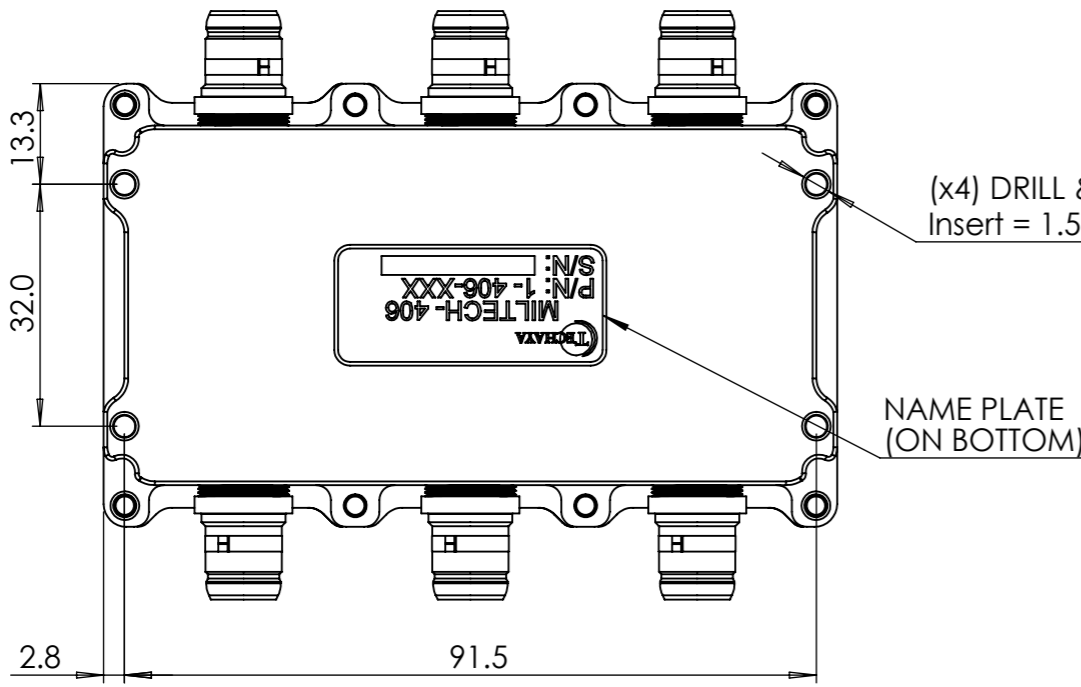


REVISIONS				
REV.	ECO	DESCRIPTION	DATE	APPROVED
1.00	EC18000049	RTP	24/05/2018	DROR S.



**NOTES:**

- MATERIAL: AL.ALLOY 6061-T651 PER AMS QQ-250/11 OR AMS QQ-A-225/B.
- THE SOLID MODEL FILE MAY BE USED FOR MANUFACTURING AND DIMENSIONAL MEASUREMENT PURPOSES AND SHALL BE USED FOR DEFINITION OF DIMENSIONS NOT EXPLICITLY SPECIFIED ON THE DRAWING. ALL NOTES AND DIMENSIONAL REQUIREMENTS SPECIFIED ON THE DRAWING ARE OBLIGATORY.
- FINISH: CHEMICAL CONVERSION COATING (YELLOW) PER MIL-C-5541F, CLASS 1A (RoHS COMPLIED).
- PAINTING: PAINTED ON EXTERNAL SURFACES ONLY, OR IN ASSEMBLY WITH COVER.
  - ONE LAYER OF PRIMER.
  - PRIMER EPOXY COATING PER MIL-DTL-53022E, TYPE II, THICKNESS OF 1 LAYER OF 20-30mkm.
  - TOP COATING POLYURETHANE PER MIL-C-83286B, TYPE II, CLASS H, THICKNESS OF 2 LAYERS OF 45-60 mkm. **COLOR PER ORDER.**
- APPROX WEIGHT- 182.0gm.

NOMINAL DIMENSIONS AND GEOMETRY ARE ACCORDING TO MODEL FILE.		NAME	DATE	SIGNATURE	PROJECT:	THIS DOCUMENT SHALL NOT BE REPRODUCED, NOR SHALL THE INFORMATION CONTAINED HEREIN BE USED BY OR DISCLOSED TO OTHERS EXCEPT AS EXPRESSLY AUTHORIZED IN WRITING BY TECHAYA LTD.	TECHAYA LTD. WWW.TECHAYA.COM TEL: +972-4-6377741 FAX: +972-4-6377761 P.O.B. 1500 PARDES HANNA, 37100, ISRAEL				
UNLESS OTHERWISE SPECIFIED, DIMENSIONS ARE IN MILLIMETERS		DRAWN	24/05/2018	DROR S.	MILTECH 406						
DO NOT SCALE DRAWING		CHK'D	24/05/2018	EINAM	PART NO:	1-406-000-icd	<table border="1"> <tr> <td>DWG NO.</td> <td>1-406-000-icd</td> </tr> <tr> <td>DWG REV.</td> <td>1.00</td> </tr> </table>	DWG NO.	1-406-000-icd	DWG REV.	1.00
DWG NO.	1-406-000-icd										
DWG REV.	1.00										
DEBURR & SHARP EDGES 0.2X45		APP'VD	24/05/2018	UDI	TITLE:	M406 ICD					
TOLERANCES (PER ISO 2768 (DIN7168), UNLESS OTHERWISE SPECIFIED):		MATERIAL:		WEIGHT:	DWG REV.						
- LINEAR DIMENSIONS: CLASS F		SEE NOTES		[g]	A3						
- ANGULAR DIMENSIONS: CLASS M		FINISH:		SURFACE ROUGHNESS:	1.00						
- GEOMETRICAL TOLERANCES: CLASS K		SEE NOTES		✓(✓)	FILE NAME: C:\Users\dror.shachar.ENERCON\Desktop\SOLIDWORKS-2021\Techaya\1-406-000-icd						
- HOLES & OPENINGS DIMENSIONS: H12					SCALE: 1:2 SHEET 1 OF 4						
- SHAFTS & EXTERNAL DIMENSIONS: H12					PRINTED ON: 22/05/2022 LAST UPDATE: 22/05/2022						