

| REVISION | | | | | | |
|----------|--------|-----|-------------|-----------|---------|----------|
| ZONE | ECR | REV | DESCRIPTION | DATE | CREATED | APPROVED |
| | R52913 | - | RELEASE | 26.MAY.22 | BIW | PS |

D

D

C

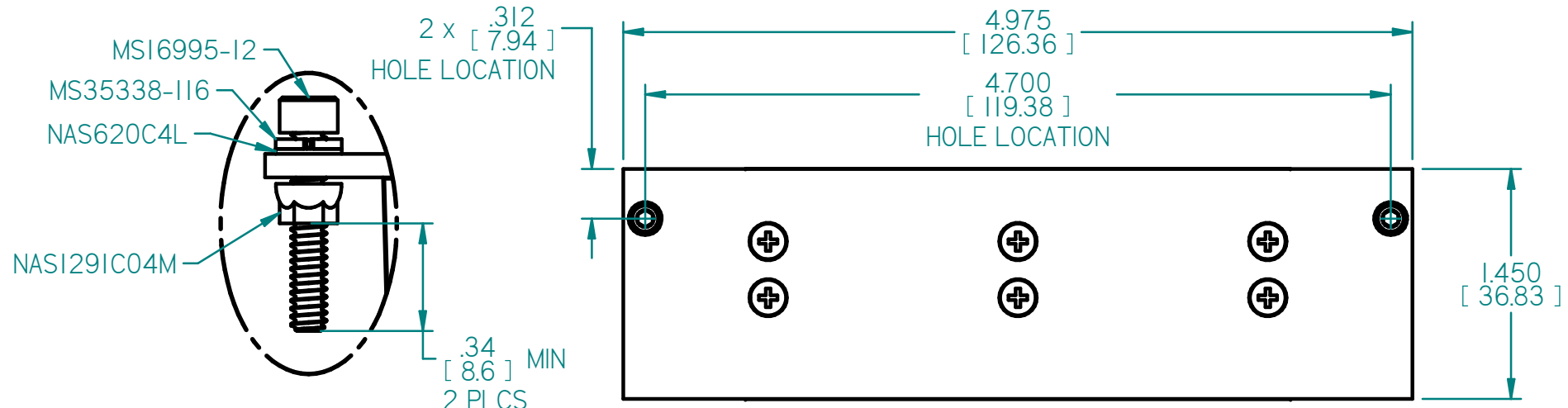
C

B

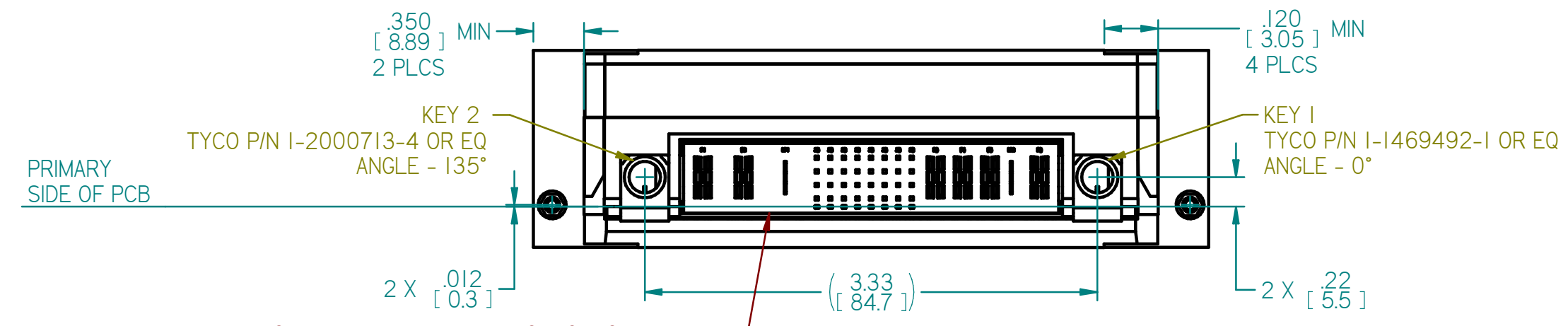
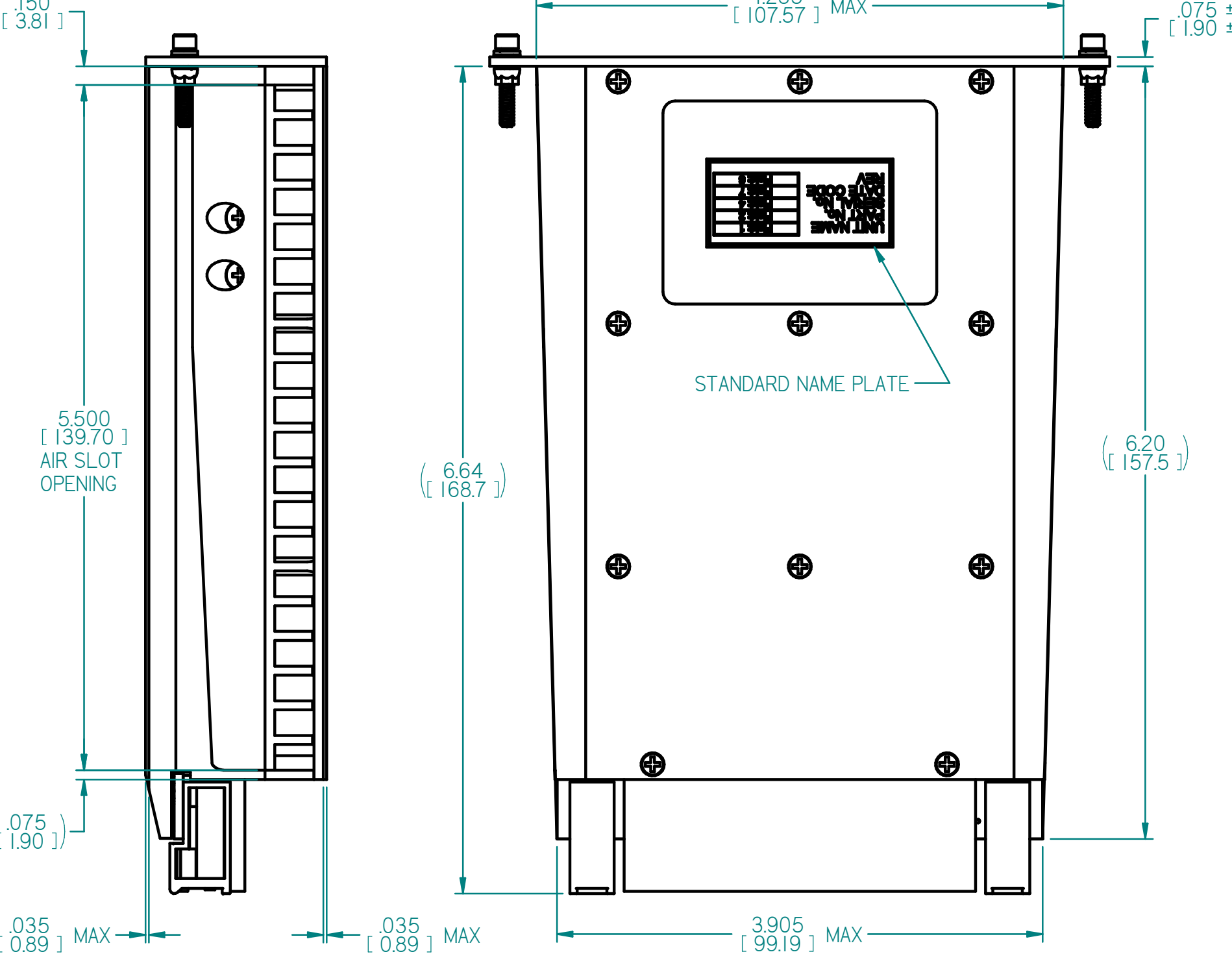
B

A

A



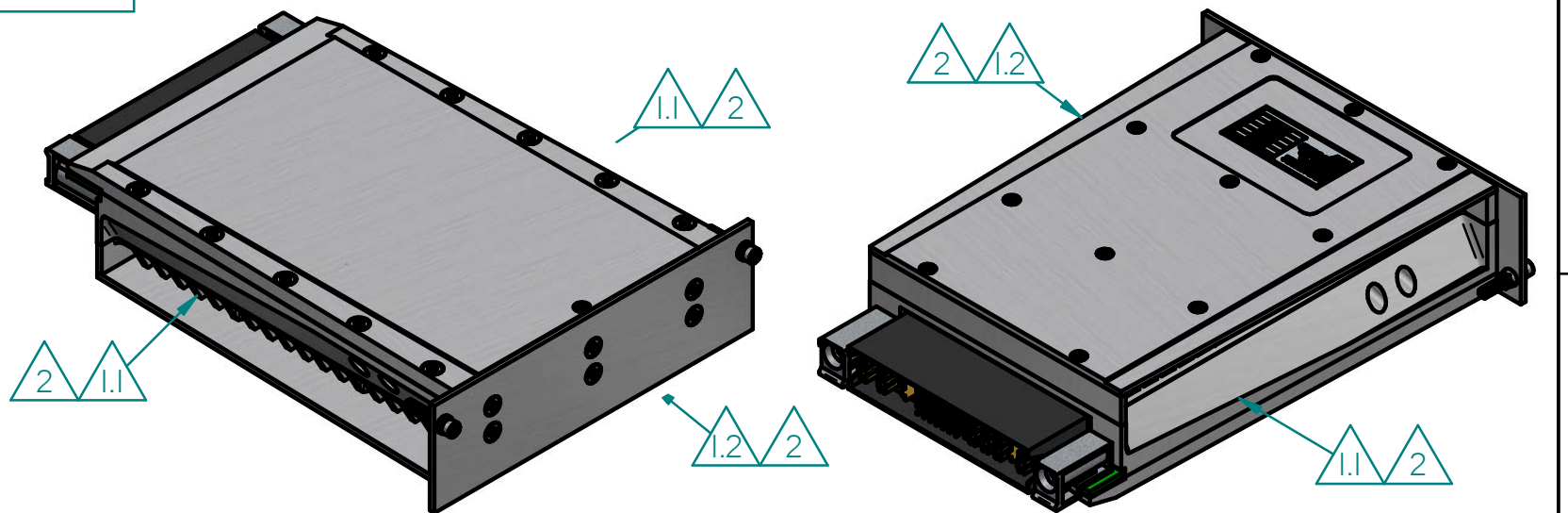
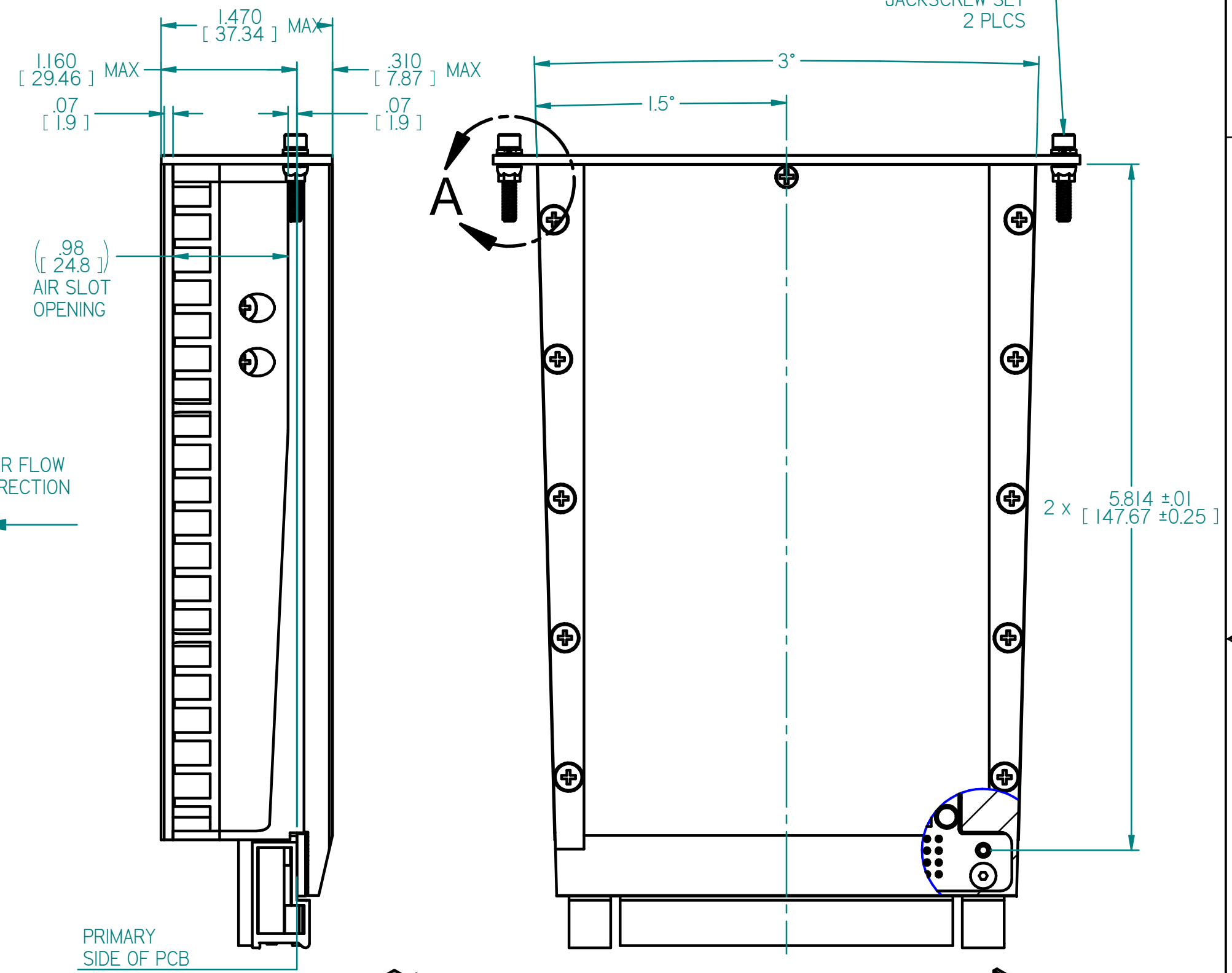
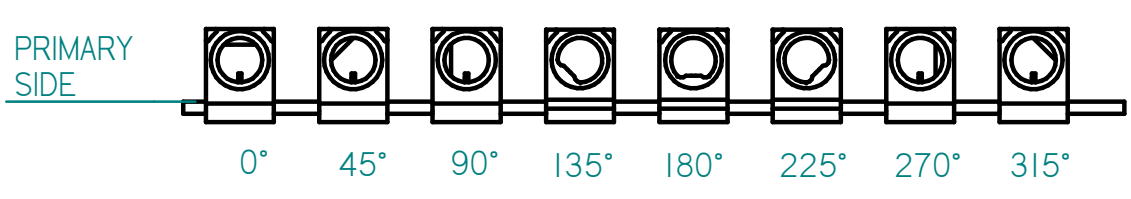
DETAIL A



NOTES:
 PO CONNECTOR: TYCO P/N 6450849-7 OR EQ.
 MATES WITH: TYCO P/N I-6450869-4

- I. MATERIAL:
- I.1. MAIN BODY, HEAT SINK, AND BOTTOM COVER:
ALUMINUM 6061, THERMAL TREATMENT T651 / T6511
PER ASTM B211/ B209 / B221
 - I.2. TOP AND FRONT COVERS:
ALUMINUM 5052 THERMAL TREATMENT H32
PER ASTM B209
2. FINISH: CHEMICAL CONVERSION COATING MIL-DTL-5541, TYPE I, CLASS 1A
3. WORKMANSHIP SHALL BE MIL-STD-454, REQT. 9

KEYING ORIENTATION GUIDE PER ANSI VITA 46.0



| | | | | | | | |
|--|------------------|--|--------------------|--------------------|-----------|-----------------------|--------------|
| ENERCON SCD NUMBER | | SCD000912 | | MILPOWER SOURCE | | COPYRIGHT PROTECTED © | |
| UNLESS OTHERWISE SPECIFIED | | | | TITLE | | | |
| DIMENSIONS ARE IN [IN] DO NOT SCALE DRAWING | | GENERAL TOLERANCES .XX ± .01 .XXX ± .005 ANGLES ± .5° | | OUTLINE DIMENSIONS | | | |
| SURFACE ROUGHNESS | 63 ✓ | APPROVALS | DATE | SIZE | CAGE CODE | DWG. NO. | REV. |
| THIRD ANGLE PROJECTION | | DRAWN & DESIGN | B.I.W. 06/May/2022 | C | 0B7R6 | M4154001 | - |
| CHECKED | P.S. 06/May/2022 | APPROVED | P.S. 06/May/2022 | SCALE | 1:1 | SHEET | SHEET 1 OF 1 |

COMPUTER GENERATED
DO NOT MANUALLY ALTER

4

3

2

1