

M3289

EMI LINE FILTER



PRODUCT HIGHLIGHTS

- 3-PHASE 115V/400 Hz
- UP TO 2 kW

Applications

Military, Ruggedized, Telecom, Industrial Line Filter

Special Features

- Improves EMI performance

Environmental Conditions

Meets MIL-STD-810G

Temperature:

Operating: -55 °C to +85 °C (at baseplate)

Storage: -55 °C to +125 °C

Electrical Specifications

AC Input range:

115 V_{AC,L-N} ± 10%, 400 Hz, 3-phase

IAW MIL-STD-704A

AC output: following input

Isolation:

Input to Case: 500 V_{DC}

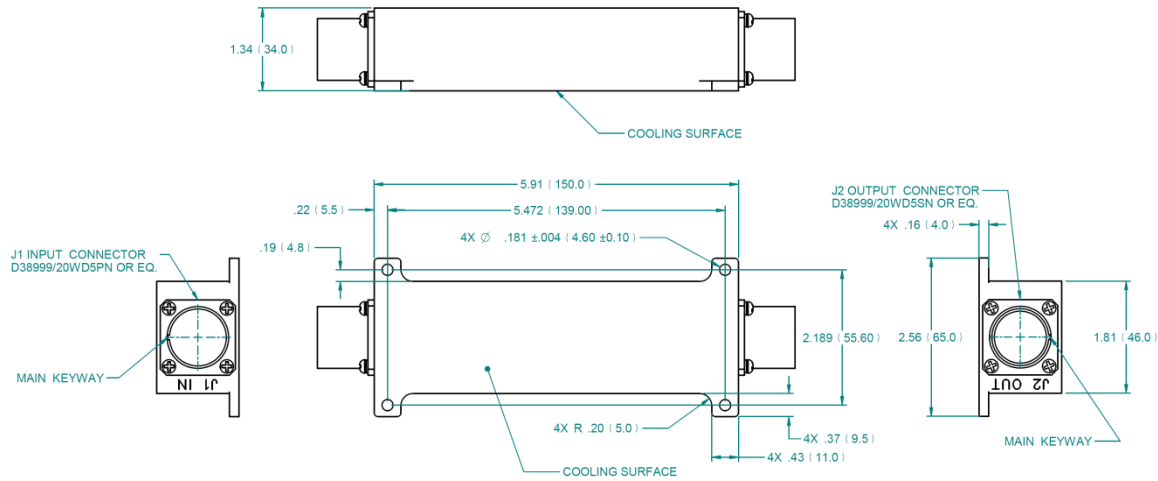
Output to Case: 500 V_{DC}

Pin Assignment

	Input	Output
Connector type	D38999/20WD5PN or eq.	D38999/20WD5SN or eq.
Mates with	D38999/26WD5SN or eq.	D38999/26WD5PN or eq.

Function	Input	Output
Phase A	A	A
Phase B	B	B
Phase C	C	C
Chassis GND	E	E
N/C	D	D

Outline Drawing



Notes

1. Dimensions are in inches [mm]
2. Tolerance is:
 .XX ± .02 in
 .XXX ± .010 in
3. Weight: Approx. TBD oz [TBD g]

Note: Specifications are subject to change without prior notice by the manufacturer