



MILTECH™ 308

Compact, Portable Military Fast Ethernet Switch

Driven by rapid advancement and lower costs, Ethernet is becoming the standard for IP-based components in a wide range of military and commercial land, sea, and air applications.

The MILTECH308's ultra-compact, IP68 rugged construction, and Fast Ethernet make it the ideal switching solution for command post, man packable and UAV systems. Its eight 10/100Mbps ports are plug-n-play with all Ethernet equipment and provide network connectivity for most portable Ethernet devices, including:

- Helmet-mounted heads-up displays
- Computers
- Navigation devices
- Communications systems
- IP-based sensors

With the best combination of size, weight, power and cost (SWaP-C) in the industry, the MILTECH308 reduces load on the soldier, providing more space for equipment that increases effectiveness and survivability.

The MILTECH308 operates on readily available 5VDC power and may easily be powered from computers and other devices with USB ports. The MILTECH's mechanical packaging enhancements, including ruggedized SCE2 circular connectors, is designed for MIL-STD-810F airborne and ground environmental compliance and high reliability. Leveraging best-in-class switching technology, the MILTECH 308 serves as a robust commercial off-the-shelf (COTS) solution for rugged LAN connectivity.

SPECIFICATIONS

ETHERNET PORTS:	<ul style="list-style-type: none"> • 8 x switched 10/100 (Fast Ethernet) ports
NETWORKING:	<ul style="list-style-type: none"> • Full wire-speed forwarding rate • Store-and-forward mechanism • Auto MDI-II, MDI-X • Auto-Negotiation Protocol • Address Look-Up
CONNECTORS:	<ul style="list-style-type: none"> • Power Connector: SCE2-B-76A06-075N-001 • LAN Connector: SCE2-B-76A06-075N-001 • LED Indication Per Port (Link/Activity)
CHASSIS:	<ul style="list-style-type: none"> • Machined rugged aluminum • Conductively cooled w/custom internal heat-sinks • Ingress protection against sand, dust and moisture • Anodize Coating, MIL-A-8625, Type II, Class 2
STANDARDS:	<ul style="list-style-type: none"> • MILSTD-461E, MILSTD-810F/G/GM, IP68
PERFORMANCE:	<ul style="list-style-type: none"> • 128K Byte of SRAM for Frame Buffering • 2.0Gbps High-Performance Memory Bandwidth • Wire-Speed Reception and Transmission



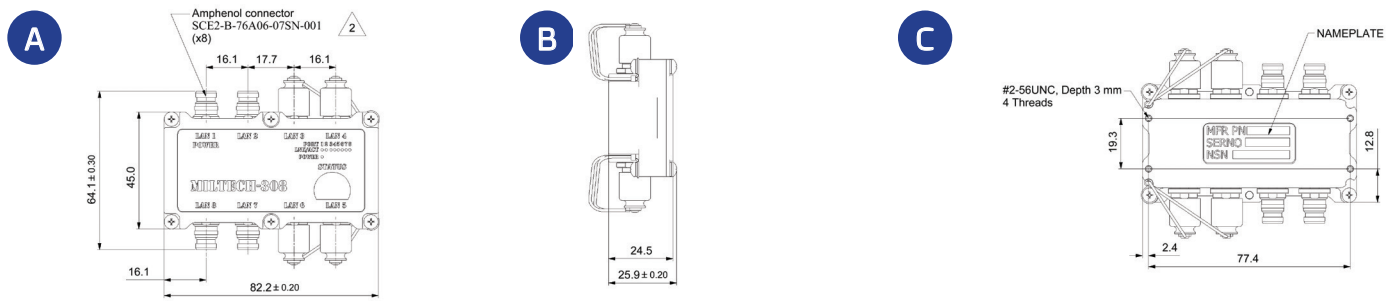


MILTECH™ 308

Compact, Portable Military Fast Ethernet Switch

SPECIFICATIONS

STANDARDS COMPLIANCE:	<ul style="list-style-type: none"> IEEE 802.3 10 Mbps 10BASE-T (Ethernet) IEEE 802.3u 100BASE-TX 100 Mbps (Fast Ethernet) IEEE 802.3x Flow Control
POWER:	<ul style="list-style-type: none"> Voltage Input: 5Vdc Nominal - Supports USB Sourcing Power Consumption: 2W Typical Chassis grounding
ELECTROMAGNETIC:	<ul style="list-style-type: none"> MIL-STD-461E Electromagnetic compatibility CE-102 CS-114 CS-115 CS-116 RE-102 R5-103
ENVIRONMENTAL:	<ul style="list-style-type: none"> MILSTD-810F/G/GM: Random vibration (514.5) Bench Handling (516.6VI) High Temp.(501.5I,II) Low Temp.(502.5I) Humidity (507.5II) Air Pressure (500.5I,II) Blowing Rain (506.5I) Immersion (512.5I) Salt Atmosphere (509.5I) Blowing Dust (510.5I) Loose Cargo Vibration (514.6II) Wind Analysis. IP68
PHYSICAL:	<ul style="list-style-type: none"> Dimensions: 82.2mm (L) x 64.1mm (W) x 26mm (H), Not including connector Dust Caps Dimensions: 3.2"(L) x 2.5"(W) x 1.0(H), Not including connector Dust Caps Weight: 140g, Not including dust caps
INSTALLATION:	<ul style="list-style-type: none"> Portable, 4 screws for mounting to any flat surface 4 x 4-40 UNC screws with locking helicoils
COOLING:	<ul style="list-style-type: none"> No Moving Parts. Passive Cooling
OPERATING TEMP:	<ul style="list-style-type: none"> -45°C to +85°C (-49°F to +185°F) – Cold Start-Up
STORAGE TEMP:	<ul style="list-style-type: none"> -51°C to +85°C (-60°F to +185°F)



*All measurements are in millimeters

ORDERING INFORMATION

PART NUMBER	DESCRIPTION
1-308-001	MILTECH308, 8 x 10/100 TX MIL-STD Rugged Switch
2-CBL308LN3M	LAN Harness for MILTECH308/304 MIL-SCE circular connector to RJ45, 3 meter length
2-CBL308PW3M	Power + LAN Harness for MILTECH308/304 MIL-SCE circular connector to RJ45 and 2 wire , 3 meter length