



MILTECH™ 1000 SERIES

Compact, Portable Military Gigabit Media Converters with PoE and Security

Driven by rapid advancement and lower costs, Ethernet is becoming the standard for IP-based components in a wide range of military and commercial applications.

Modern platforms contain dozens of network devices that must be interconnected. The MILTECH1000 is an ideal solution for mobile Ethernet-equipped platforms utilizing both copper and fiber connections such as:

- Shipboard fiber deployments
- Airborne systems
- Ground mobile applications
- Long range video camera connectivity
- Infantry base camp deployments

With the MILTECH1000, transparent, line-speed media conversion is provided along with the flexibility of Power over Ethernet (PoE). The 1000 series extends the distance of LAN networks using fiber connectivity that can stretch up 120 km. The MILTECH1000 PoE capabilities enable the device to function as PD (powered device) or PSE (power source equipment), saving valuable and expensive resources at the field.

The 1000 offers two triple-speed (10/100/1000Mbps) copper ports and two fiber ports at 100Mbps or 1Gbps. It can be remotely managed to optimize communications and prioritize critical information traffic. Advanced network features include auto-negotiation, auto MDI-II, MDI-X, FDX, HDX, flow control, link pass-through, fiber fault alert and loopback that reduce onsite maintenance and troubleshooting time.

Orderable options include the use of the a non-PoE, as a PoE powered device (PD), or PoE power source equipment (PSE), and the number and types of Ethernet and fiber connections.

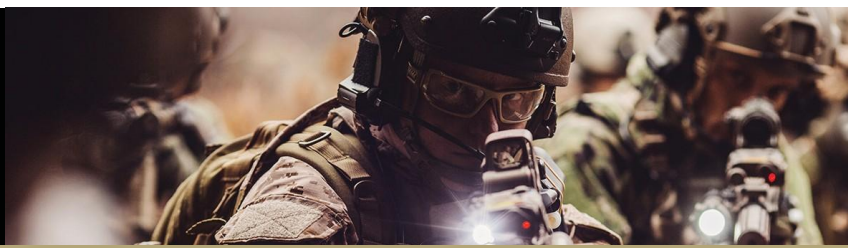
The MILTECH1000 mechanical packaging enhancements include configurable D38999, TFOCA-II, and expanded beam connectors, is designed for MIL-STD-810F airborne and ground environmental compliance and high reliability. Leveraging best-in-class switching technology, the MILTECH1000 serves as a robust commercial off-the-shelf (COTS) solution for rugged LAN connectivity.





SPECIFICATIONS

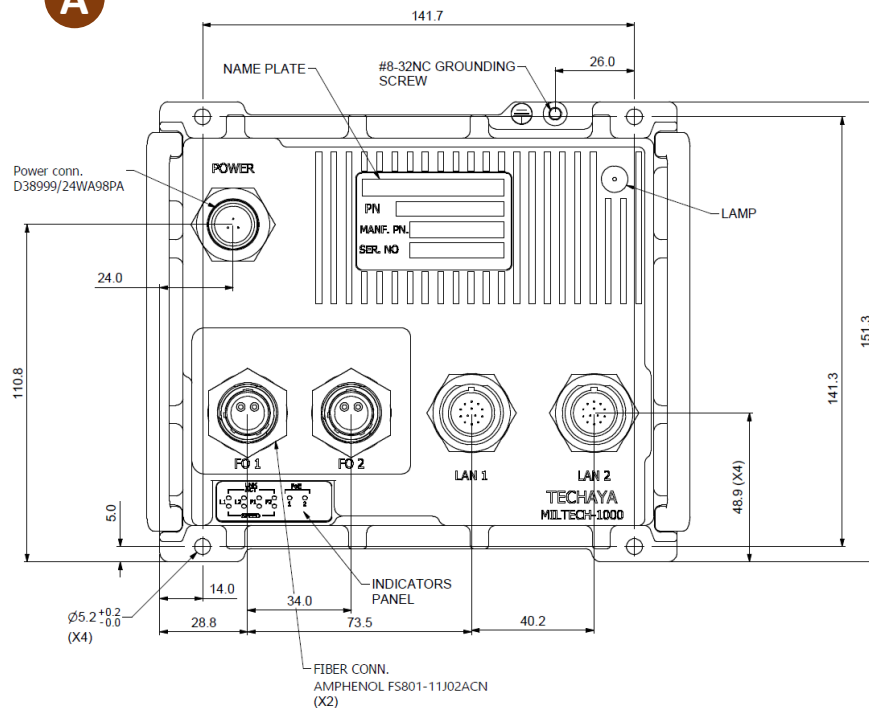
ETHERNET PORTS:	<ul style="list-style-type: none"> Up to 2 x 10/100/1000Base-T and up to 2 x 100/1000 Base FX (MM/SM) Media Converter (WDM - Optional)
NETWORKING:	<ul style="list-style-type: none"> Full wire-speed forwarding rate Option for Up to 2 ports PoE – IEEE802.3af, IEEE802.3at Auto MDI-II, MDI-X, FDX, HDX, Flow control Auto-Negotiation and fixed settings via DIP switch Jumbo Frame Support Option for one way fiber security
CONNECTORS:	<ul style="list-style-type: none"> MIL-D-38999 (Power & Ethernet signals) Power Connector Type: D38999/24WA98PA LAN Connector Type: D38999/24WB35SN Fiber Connector Types: See ordering information table LED Indication Per Port (Speed, Link/Activity)
CHASSIS:	<ul style="list-style-type: none"> Machined rugged aluminum Conductively cooled w/custom internal heat-sinks Ingress protection against sand, dust and moisture Anodize Coating, MIL-A-8625, Type II, Class 2
PERFORMANCE:	<ul style="list-style-type: none"> 26.8 Mpps wire speed forwarding rate 20Gbps maximum forwarding bandwidth 4K MAC Address 2LED indication (Speed, Link/Activity) per port Wire-Speed Reception and Transmission
STANDARDS COMPLIANCE:	<ul style="list-style-type: none"> IEEE 802.3, 10 Mbps 10BASE-T (Ethernet) IEEE 802.3u, 100BASE-TX 100 Mbps (Fast Ethernet) IEEE 802.3ab, 1000Base-T IEEE 802.3z, 1000Base-FX Gigabit IEEE 802.3af, IEEE802.3at – PoE/PoE+
POWER:	<ul style="list-style-type: none"> Design to meet MIL-STD-1275 and MIL-STD-704 (no damage, surge and spikes protection) MIL-STD-1399. Contact us for available reports. Voltage Input: DC 24V Nominal (18-32V) or AC 85-265VAC Power Consumption: 2.8W Typical Chassis grounding
ELECTROMAGNETIC:	<ul style="list-style-type: none"> MIL-STD-461F. Contact us for available reports
ENVIRONMENTAL:	<ul style="list-style-type: none"> MIL-STD-810F/G. Contact us for available reports Design to meet IP67
PHYSICAL:	<ul style="list-style-type: none"> Dimensions: 170mm(L) x 151mm(W) x 61mm(H), including connectors Dimensions: 6.7"(L) x 5.9"(W) x 2.4"(H), including connectors Weight: 1.5kg



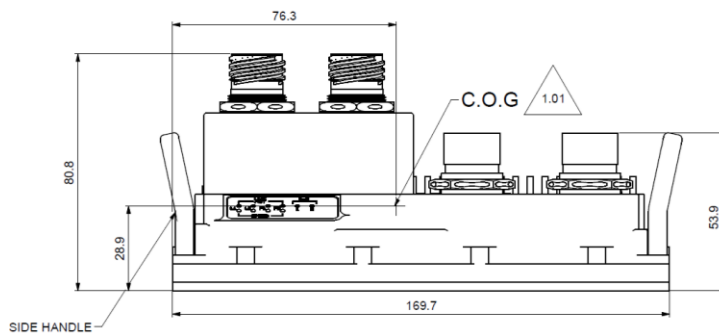
SPECIFICATIONS

INSTALLATION:	<ul style="list-style-type: none"> Four 4x5.2 mounting holes on bottom for mounting to any flat surface Carrying handles - Optional
COOLING:	<ul style="list-style-type: none"> No Moving Parts. Passive Cooling
OPERATING TEMP:	<ul style="list-style-type: none"> -45°C to +85°C (-49°F to +185°F). Cold Start-Up
STORAGE TEMP:	<ul style="list-style-type: none"> -45°C to +85°C (-49°F to +185°F)

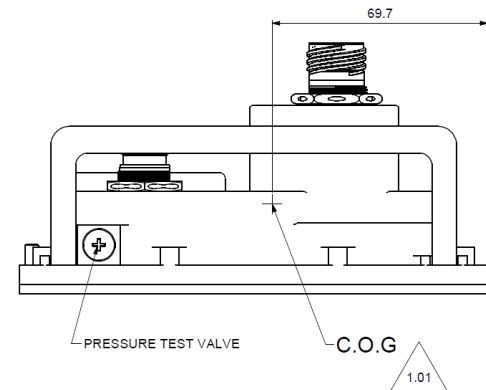
A

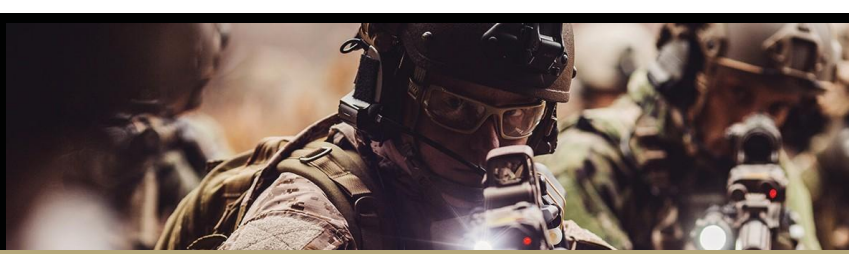


B



C





ORDERING INFORMATION Options for MILTECH 1000/1000AC*

1-1000- **A** - **B** - **C** - **D** - **E**

A	Fiber and copper ports combination
1	1 fiber port and 1 copper port D38999 connector
2	2 fiber ports and 2 copper ports D38999 connector
3	1 fiber port and 2 copper ports D38999 connector
4	2 fiber ports and 1 copper port D38999 connector
5	1 fiber port and 1 copper RJFTV45
6	2 fiber ports and 1 copper port RJFTV
7	2 fiber ports, no copper ports

B	Fiber connector types
1	D38999
2	TFOCA
3	CTOS
4	ARINC801
5	TACBeam
6	LC CIRCULAR CONNECTOR
7	M28876

C	Fiber port #1 type / speed
0	None
1	Multimode fiber 100Mbps
2	Multimode fiber 1000Mbps
3	Singlemode fiber 100Mbps distance 30 Km
4	Singlemode fiber 1000Mbps distance 30 Km
5	WDMA TX 1310nm/RX1550nm 100Mbps distance 20Km
6	WDMA TX 1310nm/RX1550nm 1000Mbps distance 20Km
7	WDMB TX 1550nm/RX1310nm 100Mbps distance 20Km
8	WDMB TX 1550nm/RX1310nm 1000Mbps distance 20Km

D	Fiber port #2 type / speed
0	None
1	Multimode fiber 100Mbps
2	Multimode fiber 1000Mbps
3	Singlemode fiber 100Mbps distance 30 Km
4	Singlemode fiber 1000Mbps distance 30 Km
5	WDMA TX 1310nm/RX1550nm 100Mbps distance 20Km
6	WDMA TX 1310nm/RX1550nm 1000Mbps distance 20Km
7	WDMB TX 1550nm/RX1310nm 100Mbps distance 20Km
8	WDMB TX 1550nm/RX1310nm 1000Mbps distance 20Km

E	Special configurations
0	4 ports switch mode All ports are interconnected
1	Dual media converter mode, complete segregation between ports
2	PSE
3	PD
4	PSE and Dual Media Converter mode, complete segregation between ports
5	Nickel connectors, PSE, port segregation
6	PD + port segregation
7	Single Fiber Connector for 2 Fibers Ports and complete segregation between ports
8	Single Fiber Connector for 2 Fibers Ports, Switch Mode + PSE

*Ordering Information for AC power supply version use 1000AC-A-B-C-D-E

*AC version with MILSTD 1399 is also available

* Ordering Information for ROHS/REACH version use 1000-A-B-C-D-E(R)

ORDERING INFORMATION

PART NUMBER	DESCRIPTION
2-CBL908LAN	LAN Harness for MILTECH908/1000
2-CBL708PW3M	Power Harness for MILTECH610/1000/708