

MILTECH™ 1100 Series

Compact, Portable Military 10 Gigabit Media Converters with PoE and Security

Driven by rapid advancement and lower costs, Ethernet is becoming the standard for IP-based components in a wide range of military and commercial applications.

Modern platforms contain dozens of network devices that must be interconnected. The MILTECH1100 is an ideal solution for mobile Ethernet-equipped platforms utilizing both copper and fiber connections such as:

- Shipboard fiber deployments
- Airborne systems
- Ground mobile applications
- Long-range video camera connectivity
- Infantry base camp deployments

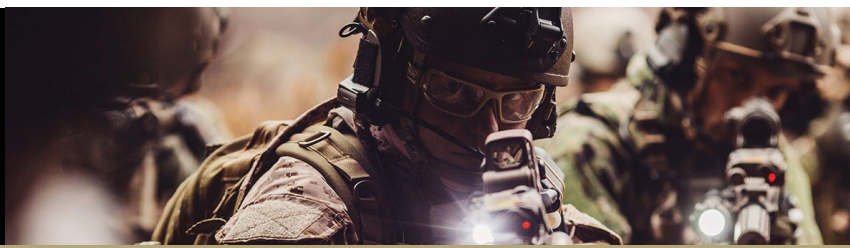
With the MILTECH1100, transparent, line-speed media conversion is provided along with the flexibility of power over Ethernet (PoE). The 1100 series extends the distance of LAN networks using fiber connectivity that can stretch up to 80 km. The MILTECH1100 PoE capabilities enable the device to function as PD (powered device) or PSE (power source equipment) up to 100W per port, saving valuable and expensive resources at the field.

The MILTECH1100 offers two 1G/10G copper ports and two 1G/10G fiber ports. It can be remotely managed to optimize communications and prioritize critical information traffic. Advanced network features include auto-negotiation, auto MDI-II, MDI-X, FDX, HDX, flow control, link pass-through that reduce onsite maintenance and troubleshooting time.

Orderable options include the use of the MILTECH1100 as a powered device (PD) or power source equipment (PSE), and the number and types of Ethernet and fiber connections.

The MILTECH1100 mechanical packaging enhancements include configurable D38999, TFOCA-II, and expanded beam connectors, designed for MIL-STD-810F airborne and ground environmental compliance and high reliability. Leveraging best-in-class switching technology, the MILTECH1100 serves as a robust commercial off-the-shelf (COTS) solution for rugged LAN connectivity.



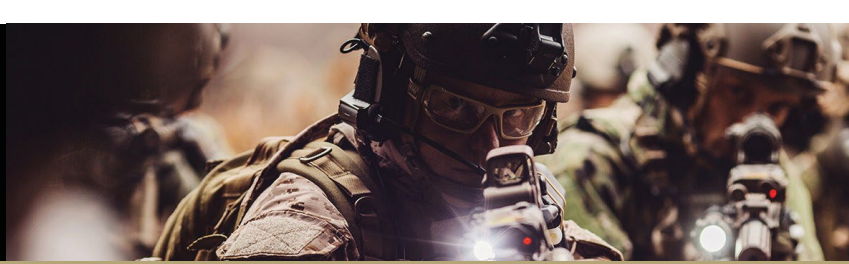


MILTECH™ 1100 Series

Compact, Portable Military 10 Gigabit Media Converters
with PoE and Security

SPECIFICATIONS

PHYSICAL PORTS:	<ul style="list-style-type: none"> Up to 2 x 1G/10G Base-TX and up to 2 x 1G/10G Base FX (MM/SM) Media Converter (WDM - Optional)
NETWORKING:	<ul style="list-style-type: none"> Full wire-speed forwarding rate Option of Up to 2 ports PoE-PSE IEEE 802.3af, 802.3at, 802.3bt Auto MDI-II, MDI-X, FDX, HDX, Flow control Auto-Negotiation and fixed settings via DIP switch Jumbo Frame Support
CONNECTORS:	<ul style="list-style-type: none"> Power Connector: D38999/24WA98PA LAN Connector: 10-646402-749N Fiber Connector: See ordering information table
CHASSIS:	<ul style="list-style-type: none"> Machined rugged aluminum Conductively cooled w/custom internal heat-sinks Ingress protection against sand, dust and moisture Anodize Coating, MIL-A-8625, Type II, Class 2
STANDARDS:	<ul style="list-style-type: none"> MIL-STD-1275 MIL-STD-704A MIL-STD-461E MIL-STD-810F GM IP67
PERFORMANCE:	<ul style="list-style-type: none"> 10.7 Gbps wire speed forwarding rate 63Gbps maximum forwarding bandwidth 16K MAC Address 2LED indication (Speed, Link/Activity) per port Wire-Speed Reception and Transmission
STANDARDS COMPLIANCE:	<ul style="list-style-type: none"> IEEE 802.3ab, 1000Base-TX IEEE 802.3z, 1000M/10GBase-TX, FX Gigabit IEEE 802.3af, IEEE802.3at, IEEE802.3bt
POWER:	<ul style="list-style-type: none"> MIL-STD-1275B & MIL-STD-704A Surge and Spike protection Voltage Input: 24VDC Nominal (18-32V) or 85-265VAC Power Consumption: 11W Typical Chassis grounding
ELECTROMAGNETIC:	<ul style="list-style-type: none"> MIL-STD-461E Electromagnetic compatibility
ENVIRONMENTAL:	<ul style="list-style-type: none"> MILSTD-810F/G/GM: MIL-STD-810F 501.4I 501.4II 502.4I 502.4II 507.4 500.4II 514 516I 516Vi 514.5 512.4 IP67

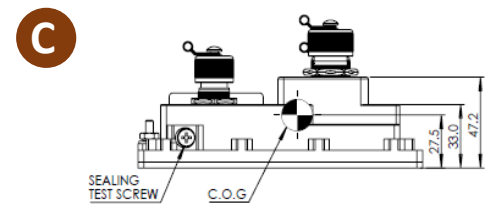
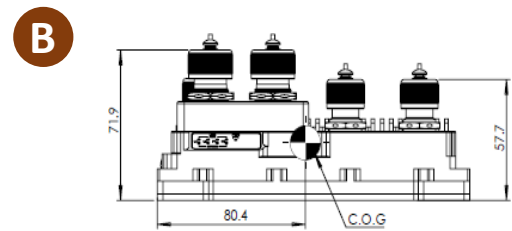
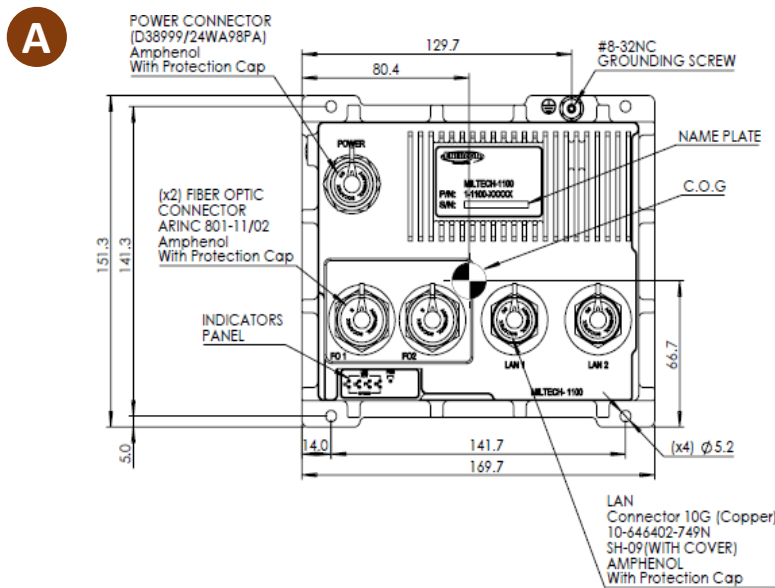


MILTECH™ 1100 Series

Compact, Portable Military 10 Gigabit Media Converters with PoE and Security

SPECIFICATIONS

PHYSICAL:	<ul style="list-style-type: none"> • Dimensions: 169.7mm(L) x 151.3mm(W) x 71.9mm(H), including connectors (None PoE) • Dimensions: 6.7”(L) x 5.9”(W) x 2.8”(H), including connectors (None PoE) • Weight: 1kg • *For PoE version contact the factory
INSTALLATION:	<ul style="list-style-type: none"> • Four 4x5.2 mounting holes on bottom for mounting to any flat surface
COOLING:	<ul style="list-style-type: none"> • No Moving Parts. Passive Cooling.
TEMPERATURE:	<ul style="list-style-type: none"> • Operational: -45°C to +85°C (-49°F to +185°F) Cold Start • Storage: -45°C to +85°C (-49°F to +185°F)



* Dimensions are for non PoE versions only
 ** For PoE version or specific part number, contact the factory
 *** Ordering Information for AC power supply version use 1100AC-A-B-C-D-E

ORDERING INFORMATION

PART NUMBER	DESCRIPTION
1-1100-XXXXX	1G/10G Gigabit Media Converter
2-CBL610PW3M	Power Harness for MILTECH 610/1000/1100