



# MILTECH™ 8P2

## Advanced Rugged Tactical 8-Port USB Type-C Ultra Fast Charger

### PRODUCT DESCRIPTION

Milpower MILTECH™ 8P2 is a Rugged Tactical 8 Port USB Type-C ultra fast Charger, supporting the latest advanced charge standards such as Power Delivery 3.0, QC 3.0, PPS as well as legacy standards.

Due to the increase in use of USB based electronic devices such as Smart phones, Tablets, PDA's in many military applications, there is a constant need to charge these devices in battlefield environments,

such as ground combat vehicles, using standard charging cables.

The rugged MILTECH 8P2 mounted inside ground combat vehicles, can charge up to 8 advanced USB based electronic devices simultaneously while providing up to 20V/5A per port.

The MILTECH 8P2 was designed for harsh environments, supporting IP67 protection.

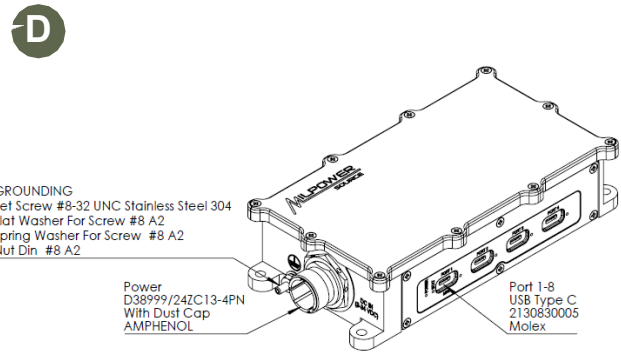
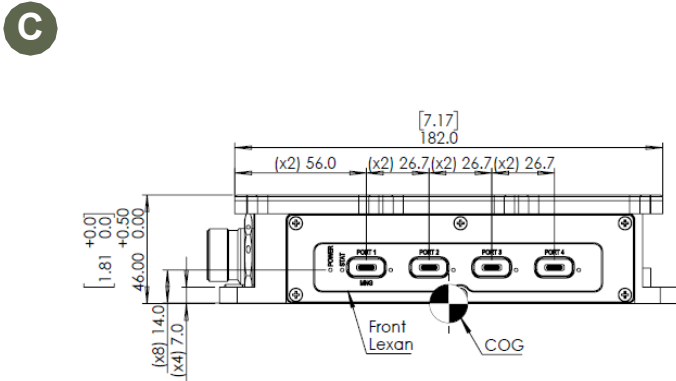
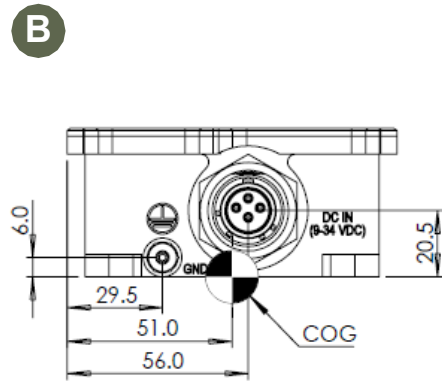
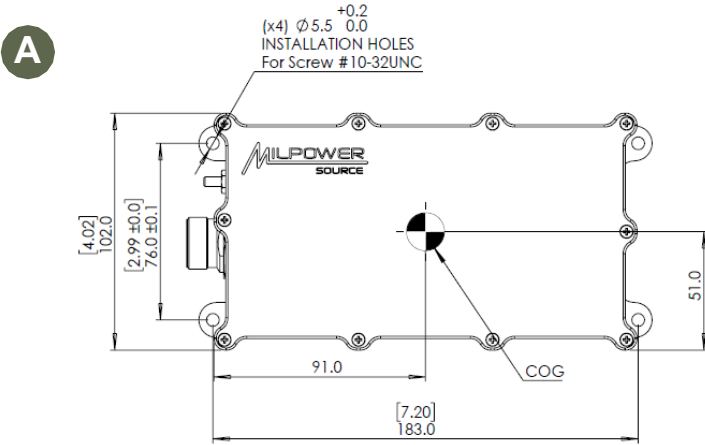
### Specifications

CONNECTORS:	<ul style="list-style-type: none"> <li>Power – D38999/24ZC4PN (Mating D38999/26ZC4SN)</li> <li>USB ports (x8) – waterproof Standard USB Type-C inlets</li> </ul>
CHASSIS:	<ul style="list-style-type: none"> <li>Low profile rugged machined aluminum</li> <li>Conductively cooled</li> <li>Ingress protection against sand, dust, water</li> <li>Chassis grounding</li> </ul>
POWER IN:	<ul style="list-style-type: none"> <li>24 VDC Nominal (9-34 VDC)</li> <li>Up to 309W</li> <li>Protections: Over/Under Voltage, Reverse Polarity</li> </ul>
PERFORMANCE:	<ul style="list-style-type: none"> <li>Charging Capabilities: USB PD/QC 3.0 PDOs, up to 100W (20V/5A) per port</li> <li>Supported PDOs per port: 5V/3A, 9V/3A, 15V/3A, 20V/3A, 12V/5A, 15V/5A, 20V/5A Note: with total unit limit of 300W</li> <li>Legacy charging modes supported</li> </ul>
MANAGEMENT:	<ul style="list-style-type: none"> <li>CLI management port (in port #1)</li> <li>Optional unit configuration: per port charge profiles</li> <li>Built in self test (BIT/CBIT/IBIT)</li> <li>Power, Status (BIT) and per Port Status LEDs</li> </ul>
PHYSICAL:	<ul style="list-style-type: none"> <li>Dimensions: 183mm (L) x 102mm (W) x 46mm (H)</li> <li>Weight: 540g</li> </ul>
STANDARDS:	<ul style="list-style-type: none"> <li>Design to meet: MIL-STD-810, MIL-STD-461 and MIL-STD-1275, IP67</li> <li>Charging: USB PD 3.0, QC 3.0, PPS</li> <li>REACH/ROHS</li> </ul>
INSTALLATION:	<ul style="list-style-type: none"> <li>4 x Mounting hole for Screw # 8/32 UNC</li> </ul>
COOLING:	<ul style="list-style-type: none"> <li>No moving parts. Passive cooling</li> </ul>
OPERATING/STORAGE TEMP:	<ul style="list-style-type: none"> <li>-40°C to +85°C (-40°F to +185°F), Cold Start-Up</li> </ul>





# Mechanical Drawing



# Ordering Information

PART NUMBER	DESCRIPTION
1-8P2-000	<ul style="list-style-type: none"> <li>Tactical 8 ports USB Type-C ultra fast charger</li> </ul>
2-CBL910POEPW	<ul style="list-style-type: none"> <li>MILTECH 8P2 Power input cable</li> </ul>