



MILTECH™ 8P2

Advanced Rugged Tactical 8-Port USB Type-C Ultra Fast Charger

Enercon's MILTECH™ 8P2 is a Rugged Managed Tactical 8-Port USB Type-C Ultra Fast Charger, supporting the latest advanced charge standards such as Power Delivery 3.0, Quick Charge 3.0, PPS as well as legacy charging standards.

The rising deployment of USB-based electronic devices, including smartphones, tablets, and PDAs, across military applications has created a growing demand for effective charging solutions. As a result, providing charging capability for these devices in battlefield conditions has become a basic requirement.

When deployed in ground combat vehicles or field operations, the MILTECH™ 8P2 charger provides multiple advanced charging ports, ensuring reliable support for the latest ultra-fast charging requirements of mission-critical devices..

The rugged MILTECH™ 8P2 mounted inside ground combat vehicles, can charge up to 8 advanced USB based electronic devices simultaneously while providing up to 20V/5A per port with external host configuration options.

The MILTECH™ 8P2 was designed for harsh environments, supporting MIL-STD 1275 and IP67 protection.

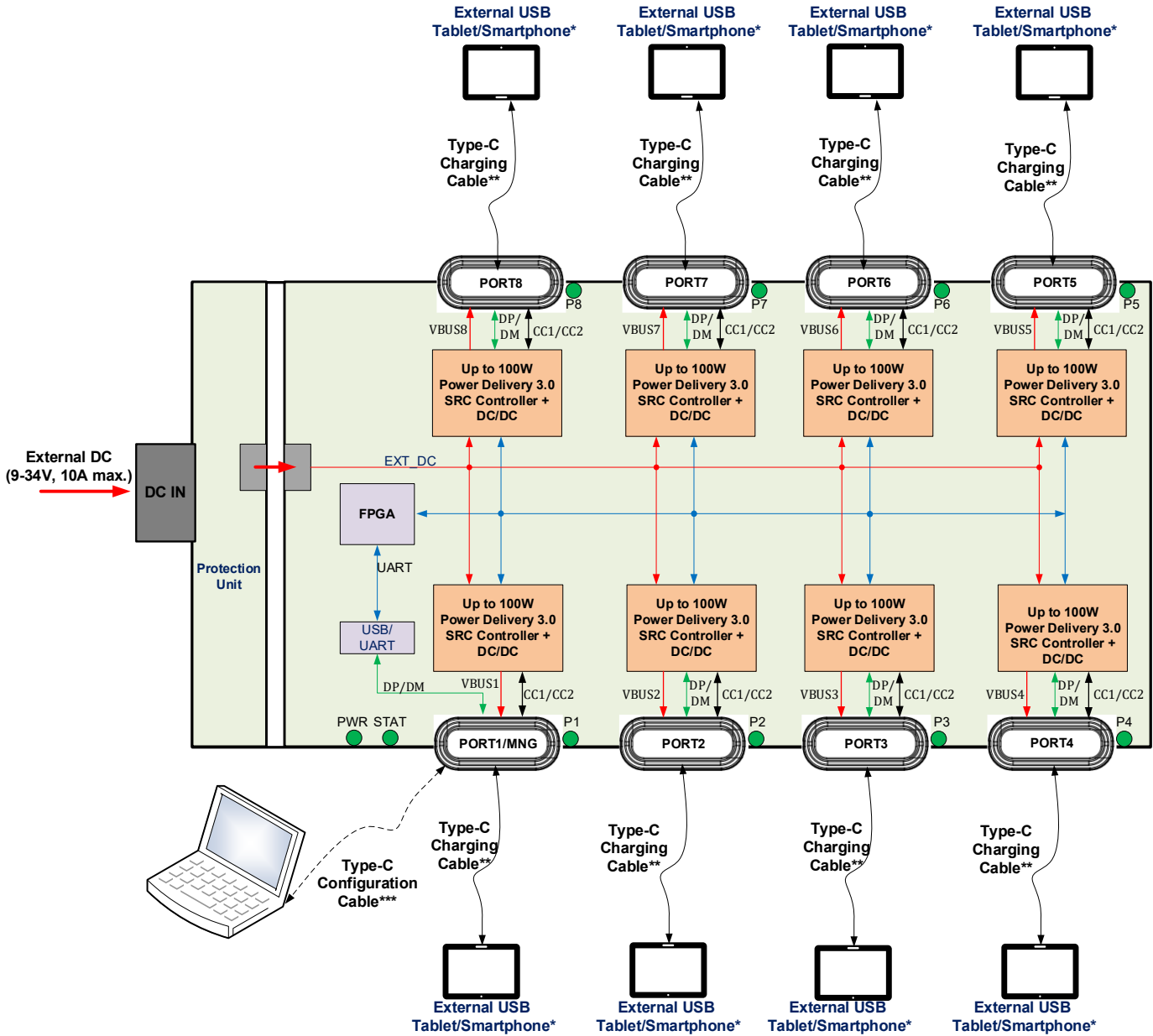
Specifications

CONNECTORS:	<ul style="list-style-type: none"> Power – D38999/24ZC4PN (Mating D38999/26ZC4SN) USB ports (x8) – waterproof standard USB Type-C inlets, with optional single screw lock (with relevant USB cables)
CHASSIS:	<ul style="list-style-type: none"> Low profile rugged machined aluminum Conductively cooled Ingress protection against sand, dust, water Chassis grounding
POWER IN:	<ul style="list-style-type: none"> Input DC range: 9-34 VDC, 10A Max. Protections: Over/Under Voltage, Reverse Polarity
PERFORMANCE:	<ul style="list-style-type: none"> Charging Capabilities: USB PD/QC 3.0/PPS PDOs, up to 100W (20V/5A) per port Supported PDOs per port: 5V/3A, 9V/3A, 15V/3A, 20V/3A, 12V/5A, 15V/5A, 20V/5A Note: with total unit input current limit of 10A (unit will manage loads actual charge profiles vs max unit input current). The unit firmware max output power is configurable via CLI. Legacy charging modes supported
MANAGEMENT:	<ul style="list-style-type: none"> CLI management port (in port #1) Optional unit configurations: per port charge profiles, overall output power limit Built in self test (BIT/CBIT/IBIT) Power, Status (BIT) and per Port Status LEDs
PHYSICAL:	<ul style="list-style-type: none"> Dimensions: 183mm (L) x 102mm (W) x 46mm (H) Weight: 540g
STANDARDS:	<ul style="list-style-type: none"> Design to meet: MIL-STD-810, MIL-STD-461, MIL-STD-1275, IP67 Charging: USB PD 3.0, QC 3.0, PPS REACH/ROHS
INSTALLATION:	<ul style="list-style-type: none"> 4 x Mounting hole for Screw # 8/32 UNC
COOLING:	<ul style="list-style-type: none"> No moving parts. Passive cooling
OPERATING/STORAGE TEMP:	<ul style="list-style-type: none"> -40°C to +85°C (-40°F to +185°F), Cold Start-Up





Application Diagram



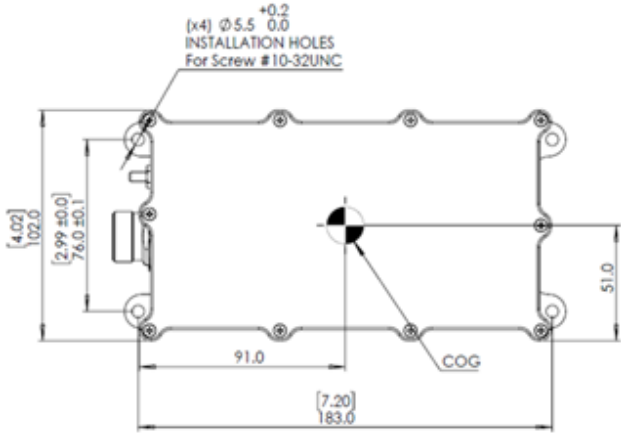
- * Or any other USB device supporting Power Delivery 3.0/Quick Charge 3.0 or Legacy Charging
- ** USB Type-C charging cable with 5A rating for Maximal PD/QC 100W charging
- *** Optional CLI management port for customer configuration (per port PDO, max output power) and unit monitoring



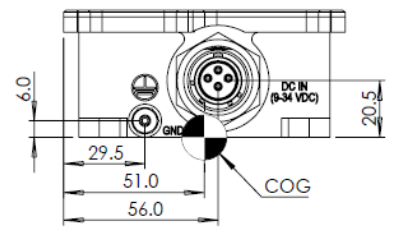


Mechanical Drawing

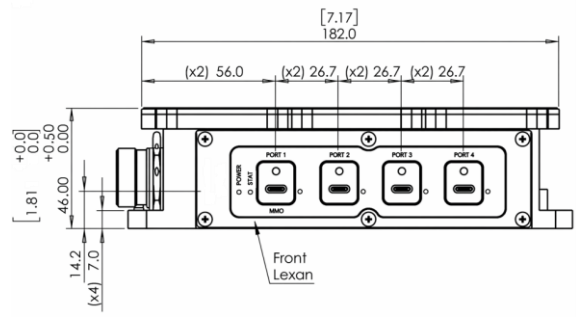
A



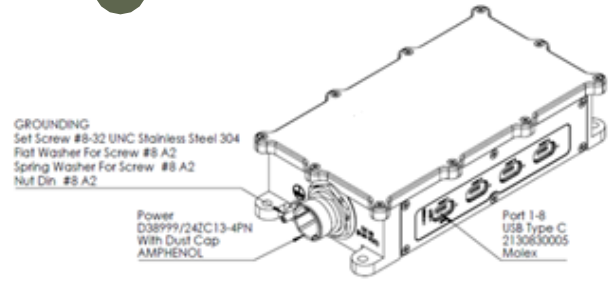
B



C



D



Ordering Information

PART NUMBER	DESCRIPTION
M018	Tactical 8 ports USB Type-C ultra fast charger
29-040600-00	MILTECH 8P2 cable kit: power input cable (3m) and 8 x USB Type-C to USB Type-C with locking screw (1.8m)
29-040234-00	MILTECH 8P2 power input cable (3m)