

# M382 SERIES

SMALL SIZE, HIGH DENSITY  
HIGH POWER FACTOR  
200W SINGLE OUTPUT  
AC/DC CONVERTERS

## APPLICATIONS

Military, Ruggedized, Telecom, Industrial



## SPECIAL FEATURES

- Miniature size
- High efficiency
- Wide input range
- High Power Factor (0.99)
- Input / Output isolation
- Inrush Current Limiter
- External On/Off Inhibit
- Fixed switching frequency (250KHz)
- External synchronization capability
- EMI/RFI filters included
- Indefinite short circuit protection with auto-recovery
- Over-voltage shutdown with auto-recovery
- Over temperature shutdown with auto-recovery

## ENVIRONMENTAL

Meets or exceeds MIL-STD-810D

Temperature:

Operating -40°C to +85°C (baseplate)

Storage -55°C to +125°C

## RELIABILITY

150'000 hours, calculated per  
MIL-STD-217F at +85°C baseplate,  
ground fixed.

## ELECTRICAL SPECIFICATIONS

### AC INPUT

AC input range: 85 to 125VAC, 50/60/400Hz, single phase

Efficiency: > 80%

EMI/RFI Filters included.

Isolation:

500V between Input and Output

500V between Input and Case

Inrush Current Limiter

### DC OUTPUT (floating)

Line /load regulation:

Less than 2% (no load to full load, -40°C to +85°C)

Ripple and noise: 0.5÷1.0Vp-p , typical

Current limiting (Hiccup):

Continuous protection for unlimited time.

Electronic over voltage protection.

Passive transzorb on outputs.

Under voltage protection.

Over temperature protection:

Shutdown at baseplate temperature of +105°C (±5°C)

Automatic recovery at baseplate temperature  
lower than +95°C (±5°C)

Isolation:

500V between Output and Input

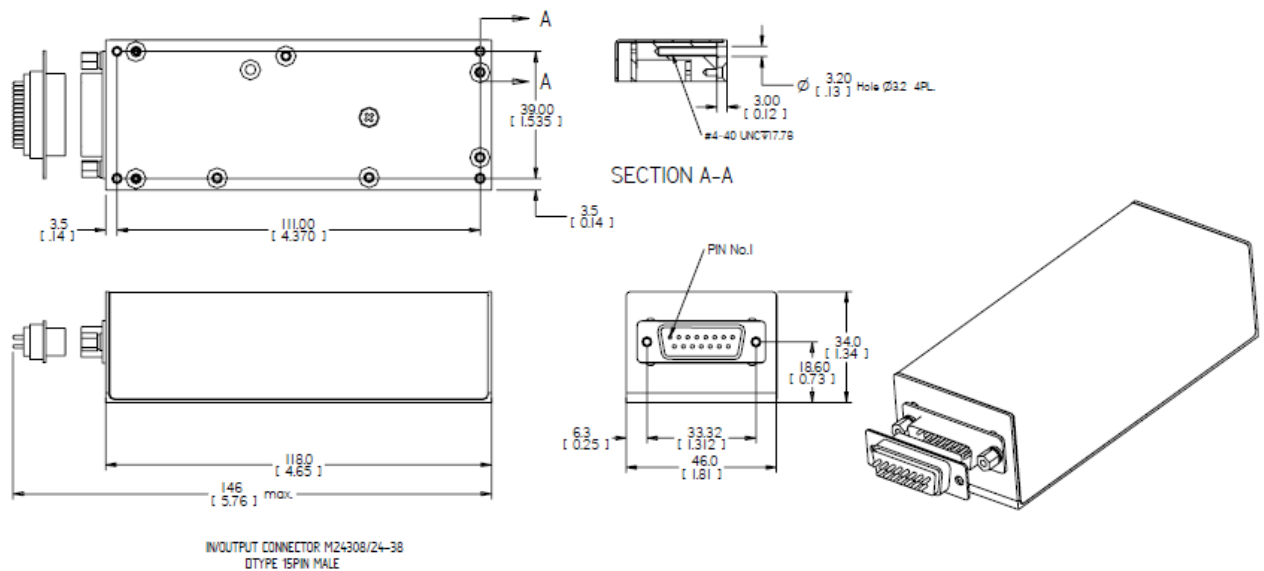
100V between Output and Case

## PIN ASSIGNMENT

Pin No.	Pin Function
1, 9	DC OUT
2, 10	DC OUT RTN
3, 4, 11	DC IN
5	SYN IN

Pin No.	Pin Function
12	SYN RTN
6, 13	CHASSIS
7, 14	PHASE
8, 15	NEUTRAL

## OUTLINE DRAWING



\*Specifications are subject to change without prior notice by the manufacturer

### Notes

1. Dimensions are in Inches [mm]
2. Tolerance is:  
.XX ±.02 IN  
.XXX ±.01 IN